

# JVC

# SERVICE MANUAL

## DVD VIDEO PLAYER

# XV-E100SL

### Area Suffix

J ----- U.S.A.  
C ----- Canada

This model is a model which changes the main body color of XV-S40BK which is the early model.

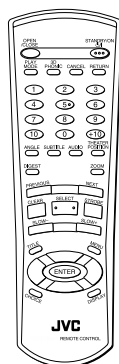
Therefore, this service manual is composed only at parts list.

Please refer to the service manual which has already been issued for other section.

XV-S40BK ver.J/C

issue number           A0003

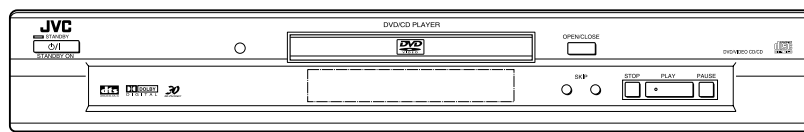
CD-ROM number       SML200102



Video CD



**AV COMPU LINK**



# PARTS LIST

## [XV-E100SL]

\* All printed circuit boards and its assemblies are not available as service parts.

### Area Suffix

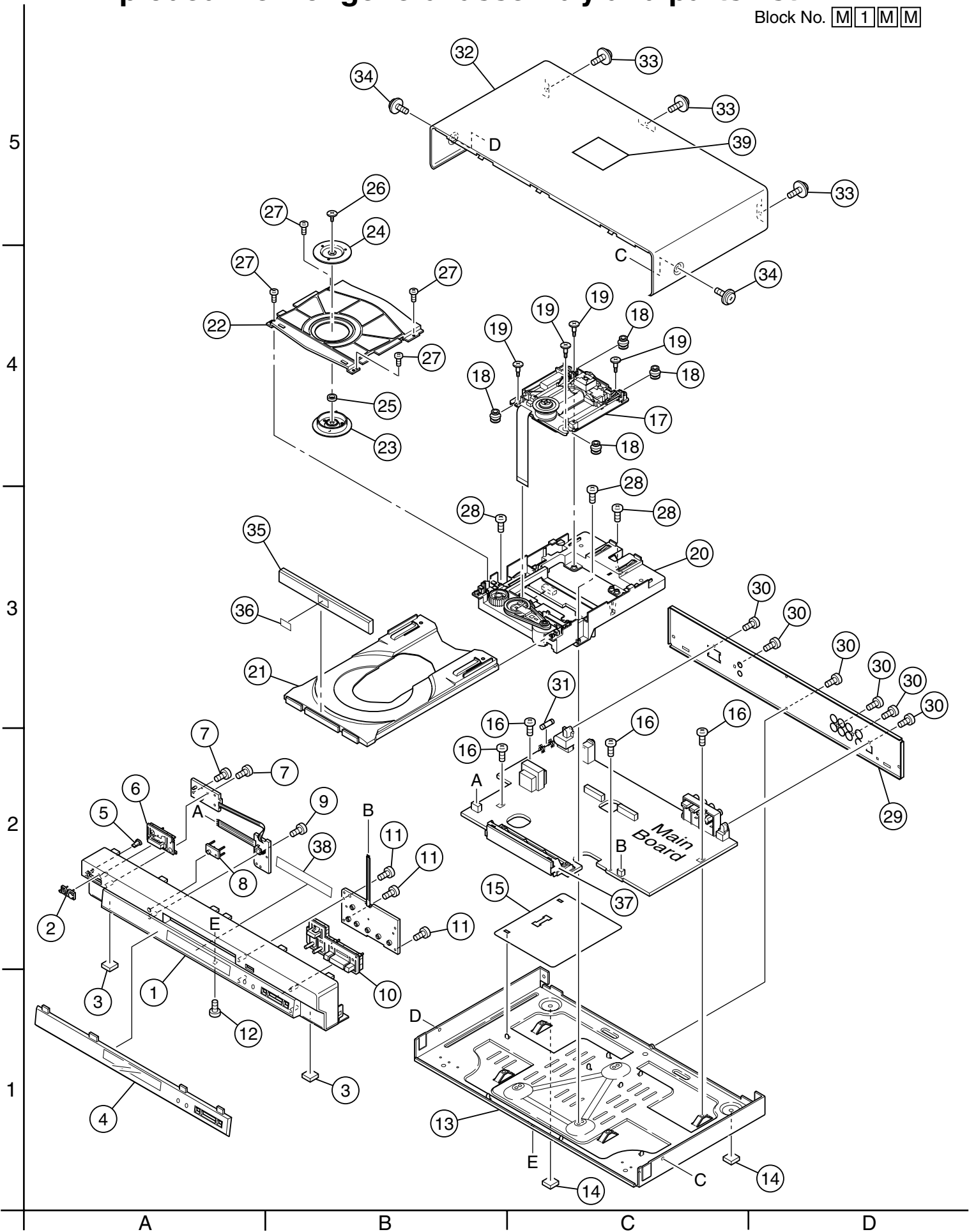
J ----- U.S.A.  
C ----- Canada

### - Contents -

Exploded view of general assembly and parts list .....	3-2
DVD Traverse mechanism assembly and parts list .....	3-4
DVD Loading mechanism assembly and parts list .....	3-6
Electrical parts list .....	3-8
Packing materials and accessories parts list .....	3-15

# Exploded view of general assembly and parts list

Block No. M1MM



**Parts list (General assembly)**

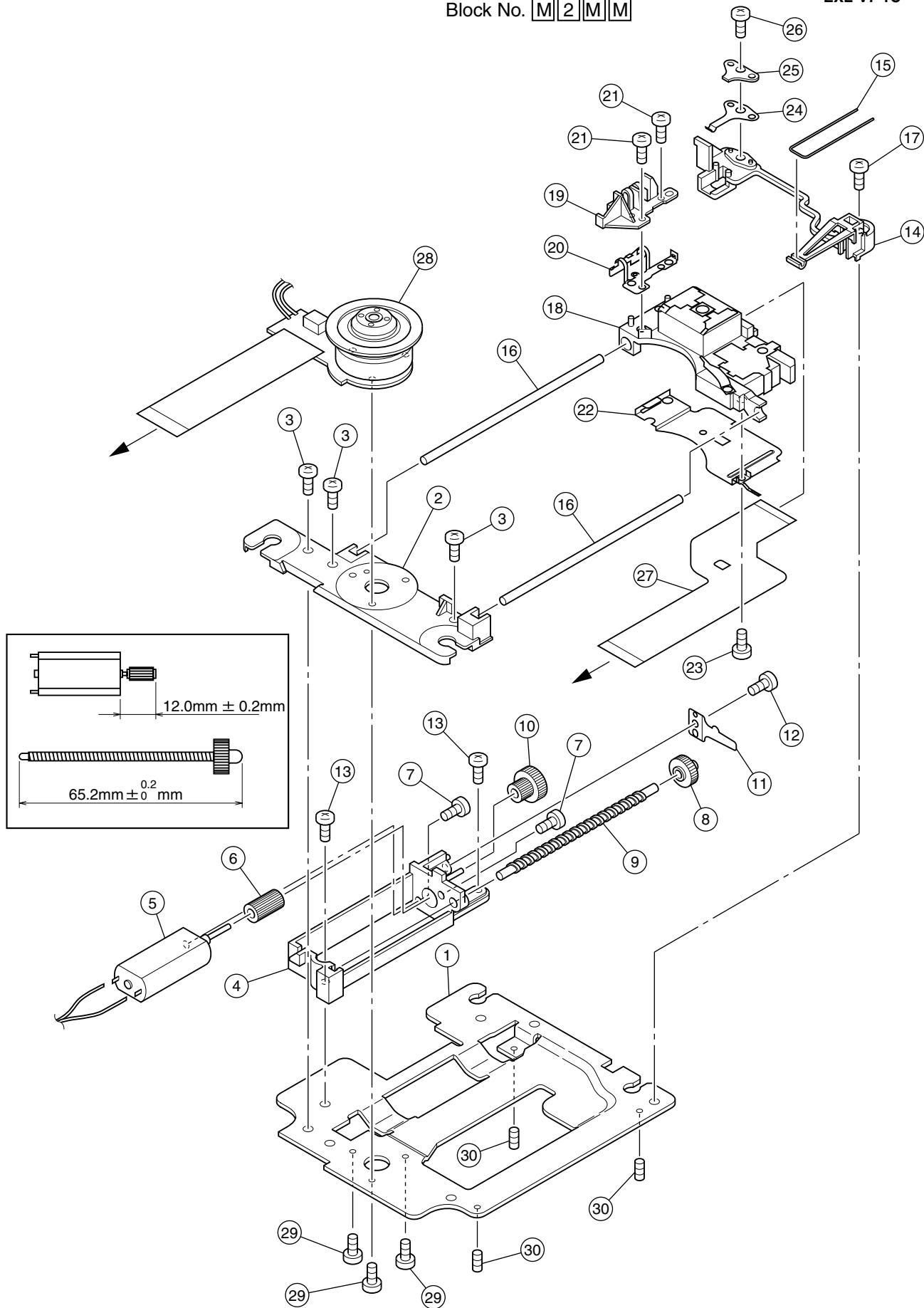
Block No. M1MM

△	Item	Parts number	Parts name	Q'ty	Description	Area
	1	LE10251-031A	FRONT PANEL	1		
	2	VJD5429-002SS	JVC MARK	1		
	3	LE40798-001A	SPACER	2		
	4	LE20535-011A	WINDOW SCREEN	1		
	5	LE30900-001A	INDICATOR	1		
	6	LE20537-002A	PUSH BUTTON	1		
	7	QYSBSF2608Z	TAPPING SCREW	2		
	8	LE30899-002A	REMOTE LENS	1		
	9	QYSBSF2608Z	TAPPING SCREW	1		
	10	LE20538-002A	PUSH BUTTON	1		
	11	QYSBSF2608Z	TAPPING SCREW	3		
	12	QYSDSG3008N	TAPPING SCREW	1		
	13	LE10250-001A	CHASSIS BASE	1		
	14	LE40798-001A	SPACER	2		
	15	LE40768-002A	PROTECT SHEET	1		
	16	QYSBSGG3008E	TAPPING SCREW	4		
	17	-----	TRAVERSE MECHANISM	1	See 3-4 page	
	18	LV41659-001A	INSULATOR	4		
	19	LV41424-001A	SPECIAL SCREW	4		
	20	-----	LOADING MECHANISM	1	See 3-6 page	
	21	LV10455-002A	TRAY	1		
	22	LV20913-002A	CLAMPER BASE	1		
	23	LV32417-001A	CLAMPER	1		
	24	LV42089-001A	YOKE	1		
	25	LV41118-003A	MAGNET	1		
	26	LV41741-001A	SPECIAL SCREW	1		
	27	QYSBSF2008Z	SCREW	4		
	28	QYSBSG3010E	TAPPING SCREW	3		
	29	LE20542-049A	REAR PANEL	1		
	30	QYSBSGY3008M	SPECIAL SCREW	1		
		QYSBSGY3008M	SPECIAL SCREW	1		
		QYSBSGY3008M	SPECIAL SCREW	2		
		QYSBSGY3008M	SPECIAL SCREW	1		
		QYSBSGY3008M	SPECIAL SCREW	1		
△	31	QMF51U1-1R6-J8	FUSE	1		
	32	LE20541-002A	METAL COVER	1		
	33	QYSBSGG3008E	TAPPING SCREW	3		
	34	E406308-004	SPECIAL SCREW	2		
	35	LE20536-005A	FITTING	1		
	36	LE40757-002A	MARK	1		
	37	LE20540-001A	FL HOLDER	1		
	38	LE40759-001A	FL SCREEN	1		
	39	LE40806-002A	CAUTION LABEL	1		

# DVD Traverse mechanism assembly and parts list

Block No. **M****2****M****M**

EXL-V7-1C



**Parts list (DVD Traverse mechanism assembly) EXL-V7-1C**

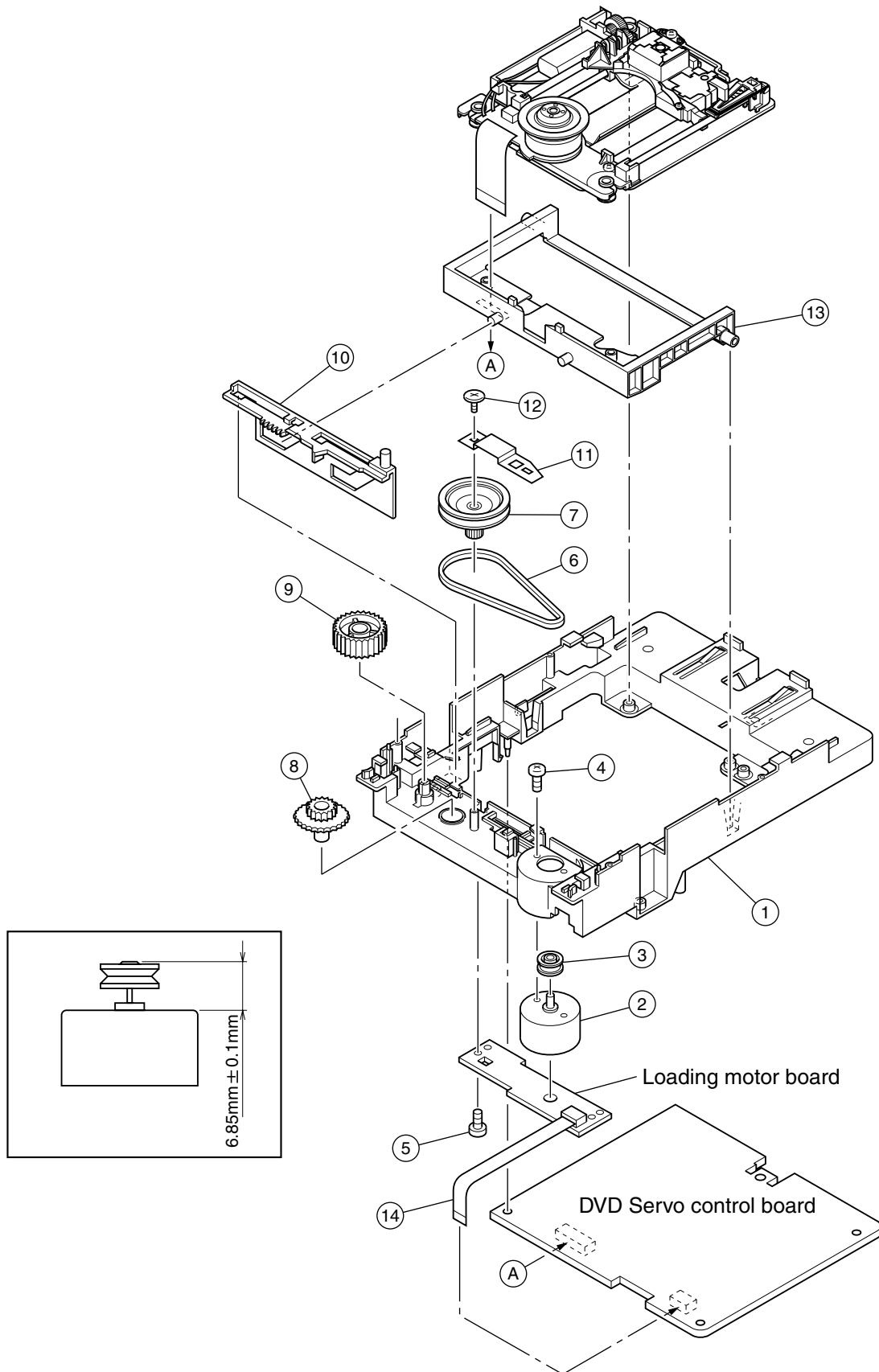
Block No. M2MM

⚠	Item	Parts number	Parts name	Q'ty	Description	Area
	1	LE20520-001A	MECHA BASE	1		
	2	LE20516-001A	SPINDLE BASE	1		
	3	QYSDST2605M	TAPPING SCREW	3		
	4	LE30909-001A	HOLDER	1		
	5	QAR0165-001	FEED MOTOR	1		
	6	LV41510-001A	FEED GEAR	1		
	7	QYSPSPU2040M	SCREW	2		
	8	LV41512-001A	FEED GEAR	1		
	9	LV41517-001A	LEAD SCREW	1		
	10	LV41511-002A	FEED GEAR	1		
	11	LE40742-001A	TORSION SPRING	1		
	12	QYSDSF2005Z	SCREW	1		
	13	QYSDST2605M	TAPPING SCREW	2		
	14	LE20517-001A	HOLDER	1		
	15	LE40744-001A	SPRING	1		
	16	LV41121-002A	SLIDE SHAFT	2		
	17	QYSDST2605M	TAPPING SCREW	1		
	18	QAL0279-001	OPTICAL PICK-UP	1		
	19	LE20519-001A	ACTUATOR	1		
	20	LE30886-001A	SPRING	1		
	21	QYSPSPU1740Z	SCREW	2		
	22	LE30888-003A	SPRING	1		
	23	QYSPSPU1420Z	SCREW	1		
	24	LE40743-001A	SPRING	1		
	25	LE40774-001A	PLATE	1		
	26	QYSDST2606Z	SCREW	1		
	27	QAL0284-001	F.P.C.WIRE ASSY	1		
	28	QAR0162-001	DC MOTOR	1		
	29	QYSPSPU1760Z	SCREW	3		
	30	QYYASPF2608N	SCREW	3		

# DVD Loading mechanism assembly and parts list

Block No. M3MM

FLM-J1-1C



**Parts list (DVD Loading mechanism assembly) FLM-J1-1C Block No. M3MM**

△	Item	Parts number	Parts name	Q'ty	Description	Area
	1	LV10454-006A	LOADING BASE	1		
	2	QAR0164-001	MOTOR	1		
	3	LV42087-001A	MOTOR PULLEY	1		
	4	QYSPSPU1730Z	SCREW	1		
	5	VKZ4777-003	MINI SCREW	1		
	6	LV42209-001A	BELT	1		
	7	LV42084-002A	PULLEYGEAR	1		
	8	LV42085-002A	MIDDLE GEAR	1		
	9	LV42086-001A	IDLE GEAR	1		
	10	LV32514-002A	SLIDE CAM	1		
	11	LV42348-001A	GEAR BRACKET	1		
	12	VKZ4777-003	SCREW	1		
	13	LV20912-002A	ELEVATOR	1		
	14	QUQ110-0610AJ	FFC WIRE	1		

**Electrical parts list (Loading motor board) Block No. 03**

△	Item	Parts number	Parts name	Remarks	Area
	CN 1	QGF1016F3-06	CONNECTOR		
	S 1	QSW0910-002	SWITCH		
	S 2	QSW0910-002	SWITCH		



■ Electrical parts list (Main board)

Block No. 01

△	Item	Parts number	Parts name	Remarks	Area
	BK801	LE20539-001A	FL HOLDER		
	C 601	NCS31HJ-471X	C CAPACITOR		
	C 603	NCS31HJ-221X	C.CAPA. C.M		
	C 604	NCS31HJ-470X	C.CAPA. C.M		
	C 609	QETN0JM-477Z	E CAPACITOR	470MF 20% 6.3V	
	C 611	NCS31HJ-471X	C CAPACITOR		
	C 613	NCS31HJ-221X	C.CAPA. C.M		
	C 614	NCS31HJ-470X	C.CAPA. C.M		
	C 619	QETN0JM-477Z	E CAPACITOR	470MF 20% 6.3V	
	C 621	NCS31HJ-471X	C CAPACITOR		
	C 623	NCS31HJ-221X	C.CAPA. C.M		
	C 624	NCS31HJ-470X	C.CAPA. C.M		
	C 631	NCS31HJ-471X	C CAPACITOR		
	C 633	NCS31HJ-221X	C.CAPA. C.M		
	C 634	NCS31HJ-470X	C.CAPA. C.M		
	C 639	NCB31CK-104X	C CAPACITOR		
	C 659	QETN0JM-477Z	E CAPACITOR	470MF 20% 6.3V	
	C 701	QETN1HM-105Z	E CAPACITOR	1.0MF 20% 50V	
	C 702	NCB31CK-104X	C CAPACITOR		
	C 704	NCB31CK-104X	C CAPACITOR		
	C 705	NCB31CK-104X	C CAPACITOR		
	C 706	NCB31CK-104X	C CAPACITOR		
	C 707	QETN0JM-107Z	E CAPACITOR	100MF 20% 6.3V	
	C 709	NCS31HJ-331X	C.CAPA. C.M		
	C 711	QCZ0205-155Z	ML C CAPACITOR	1.5MF	
	C 713	NCS31HJ-471X	C CAPACITOR		
	C 714	QETN0JM-108Z	E CAPACITOR	1000MF 20% 6.3V	
	C 716	QETN0JM-108Z	E CAPACITOR	1000MF 20% 6.3V	
	C 717	QCZ0205-155Z	ML C CAPACITOR	1.5MF	
	C 718	QETN0JM-227Z	E CAPACITOR	220MF 20% 6.3V	
	C 728	QETN1AM-107Z	E CAPACITOR	100MF 20% 10V	
	C 730	QFV21HJ-224Z	MF CAPACITOR	.22MF 5% 50V	
	C 731	QFN31HJ-103Z	M CAPACITOR	.010MF 5% 50V	
	C 736	NCB31CK-104X	C CAPACITOR		
	C 739	QFN31HJ-681Z	M.CAPA. I.M	680PF 5% 50V	
	C 740	QFN31HJ-102Z	M CAPACITOR	1000PF 5% 50V	
	C 741	QFN31HJ-221Z	M.CAPA. I.M	220PF 5% 50V	
	C 742	QFN31HJ-332Z	M CAPACITOR	3300PF 5% 50V	
	C 744	QFN31HJ-681Z	M.CAPA. I.M	680PF 5% 50V	
	C 745	QFN31HJ-103Z	M CAPACITOR	.010MF 5% 50V	
	C 746	QETN1EM-226Z	E CAPACITOR	22MF 20% 25V	
	C 747	QFN31HJ-222Z	M CAPACITOR	2200PF 5% 50V	
	C 750	QFN31HJ-102Z	M CAPACITOR	1000PF 5% 50V	
	C 751	QFN31HJ-221Z	M.CAPA. I.M	220PF 5% 50V	
	C 752	QFN31HJ-332Z	M CAPACITOR	3300PF 5% 50V	
	C 754	QFN31HJ-681Z	M.CAPA. I.M	680PF 5% 50V	
	C 755	QFN31HJ-103Z	M CAPACITOR	.010MF 5% 50V	
	C 756	QETN1EM-226Z	E CAPACITOR	22MF 20% 25V	
	C 757	QFN31HJ-222Z	M CAPACITOR	2200PF 5% 50V	
	C 761	QETN1CM-107Z	E CAPACITOR	100MF 20% 16V	
	C 762	QETN1CM-107Z	E CAPACITOR	100MF 20% 16V	
	C 771	QETN1CM-107Z	E CAPACITOR	100MF 20% 16V	
	C 772	QETN1CM-107Z	E CAPACITOR	100MF 20% 16V	
	C 797	NCB31HK-152X	C CAPACITOR		
	C 801	NCB31CK-104X	C CAPACITOR		
	C 802	QEK1AM-476Z	E.CAPACITOR	47MF 20% 10V	
	C 821	QEK1HM-475Z	E.CAPACITOR	4.7MF 20% 50V	
△	C 902	QFZ9040-683	M CAPACITOR	OR USE PARTS	
△	C 906	NZZ000000000501	C CAPACITOR		
△	C 907	QETM2DM-157	E CAPACITOR	150MF 20%	
	C 908	NZZ000000000500	C CAPACITOR		
	C 909	NZZ000000000499	C CAPACITOR		
	C 910	NCS31HJ-221X	C.CAPA. C.M		
	C 913	NZZ000000000499	C CAPACITOR		

△	Item	Parts number	Parts name	Remarks	Area
	C 914	QEZO532-396Z	E CAPACITOR	OR USE PARTS	
	C 915	NCB31HK-471X	C CAPACITOR		
△	C 916	NZZ000000000502	C CAPACITOR		
	C 917	NCB31CK-104X	C CAPACITOR		
	C 918	QCFB1HZ-104Y	C CAPACITOR	.10MF +80%-20%	
	C 931	NCB31CK-104X	C CAPACITOR		
	C 951	NCS31HJ-101X	C.CAPA. C.M		
	C 952	NCS31HJ-101X	C.CAPA. C.M		
	C 953	NCS31HJ-101X	C.CAPA. C.M		
	C 954	NCS31HJ-101X	C.CAPA. C.M		
	C 956	NCS31HJ-101X	C.CAPA. C.M		
	C 957	NCS31HJ-101X	C.CAPA. C.M		
	C 960	QEZO529-826Z	E CAPACITOR	OR USE PARTS	
	C 961	NCB31CK-104X	C CAPACITOR		
	C 962	QETN1HM-226Z	E CAPACITOR	22MF 20% 50V	
	C 963	QEZO533-396Z	E CAPACITOR	OR USE PARTS	
	C 964	QETN1HM-226Z	E CAPACITOR	22MF 20% 50V	
	C 965	QEZO528-108	E CAPACITOR	OR USE PARTS	
	C 966	QETN1AM-477Z	E CAPACITOR	470MF 20% 10V	
	C 967	NCB31CK-104X	C CAPACITOR		
	C 968	NCB31CK-104X	C CAPACITOR		
	C 969	QETN1AM-227Z	E CAPACITOR	220MF 20% 10V	
	C 970	NCB31CK-104X	C CAPACITOR		
	C 973	QETN1AM-107Z	E CAPACITOR	100MF 20% 10V	
	C 976	NCB31CK-104X	C CAPACITOR		
	C 977	NCB31CK-104X	C CAPACITOR		
	C 978	QETN1AM-107Z	E CAPACITOR	100MF 20% 10V	
	C 979	QEZO530-827	E CAPACITOR	OR USE PARTS	
	C 981	NCB31CK-104X	C CAPACITOR		
	C 982	QEZO531-567	E CAPACITOR	OR USE PARTS	
	C 984	QETN1EM-227Z	E CAPACITOR	220MF 20% 25V	
	C 985	QETN1CM-227Z	E CAPACITOR	220MF 20% 16V	
	C 987	QEZO532-187Z	E CAPACITOR	OR USE PARTS	
	C 989	QETN1EM-107Z	E CAPACITOR	100MF 20% 25V	
	C 992	QETN1HM-474Z	E CAPACITOR	.47MF 20% 50V	
	C 993	NCS31HJ-101X	C.CAPA. C.M		
	C 994	NCB31EK-223X	C CAPACITOR		
	C 995	QETN1CM-227Z	E CAPACITOR	220MF 20% 16V	
	C 996	QETN1CM-226Z	E CAPACITOR	22MF 20% 16V	
	C 997	QETN1CM-227Z	E CAPACITOR	220MF 20% 16V	
	CN701	QGB2027M8-26	B TO B CONNECTO		
	CN702	QGD2501C1-05Z	SOCKET I.M		
	CN703	QGD2501C1-03Z	SOCKET		
	CN961	QGB2027M8-26	B TO B CONNECTO		
△	CP951	ICP-N10-T	ICP		
△	CP952	ICP-N5-T	ICP		
	C1601	QETN0JM-477Z	E CAPACITOR	470MF 20% 6.3V	
	C1602	QETN0JM-477Z	E CAPACITOR	470MF 20% 6.3V	
	C1701	QETN1EM-476Z	E CAPACITOR	47MF 20% 25V	
	C1702	QETN1EM-476Z	E CAPACITOR	47MF 20% 25V	
	C1703	NCS31HJ-151X	C CAPACITOR		
	C1704	NCS31HJ-221X	C.CAPA. C.M		
	C1710	QDGB1HK-102Y	C CAPACITOR		
	D 609	1SS133-T2	SI DIODE IM		
	D 619	1SS133-T2	SI DIODE IM		
	D 629	1SS133-T2	SI DIODE IM		
	D 639	1SS133-T2	SI DIODE IM		
	D 701	1SS133-T2	SI DIODE IM		
	D 702	MTZJ3.3B-T2	ZENER DIODE IM		
	D 709	1SS133-T2	SI DIODE IM		
	D 791	1SS133-T2	SI DIODE IM		
	D 792	1SS133-T2	SI DIODE IM		
	D 801	SLR-342VC-T	LED	STANDBY	
△	D 901	S1WB/A/60-4101	BRIDGE DIODE		

■ Electrical parts list (Main board)

Block No. 01

Item	Parts number	Parts name	Remarks	Area	Item	Parts number	Parts name	Remarks	Area
△ D 902	F1T4-T2	FR DIODE			Q 611	KTA1267/G/-T	TR I/M		
△ D 903	F1T4-T2	FR DIODE			Q 621	KTA1267/G/-T	TR I/M		
△ D 904	F1T4-T2	FR DIODE			Q 631	KTA1267/G/-T	TR I/M		
△ D 908	F1T4-T2	FR DIODE			Q 709	KRC107S-X	DIGITAL.TR		
△ D 910	F1T4-T2	FR DIODE			Q 743	2SD2144S/VW/-T	TRANSISTOR	AMUTE1	
D 911	1SS133-T2	SI DIODE IM			Q 753	2SD2144S/VW/-T	TRANSISTOR	AMUTE1	
D 950	MTZJ36C-T2	Z.DIODE I.M			Q 791	KRA102S-X	DIGITAL.TR		
△ D 951	F1T4-T2	FR DIODE			Q 951	KTD863/Y/-T	TRANSISTOR		
△ D 952	F1T4-T2	FR DIODE			Q 952	KRA104S-X	DIGITAL.TR		
△ D 953	FMB-24	FUSEIODE			Q 953	KTA1267/G/-T	TR I/M		
△ D 954	F1T4-T2	FR DIODE			△ Q 964	2SB1184/QR/-X	TRANSISTOR		
△ D 956	F1T4-T2	FR DIODE			Q 965	KTC3199/Y/-T	TR I/M		
△ D 957	F1T4-T2	FR DIODE			Q 966	KTA1267/G/-T	TR I/M		
D 960	MTZJ4.7B-T2	Z DIODE I M			Q 991	KTC3199/Y/-T	TR I/M		
D 970	1SS133-T2	SI DIODE IM			R 601	NRSA63J-151X	MG RESISTOR		
D 972	1SS133-T2	SI DIODE IM			R 602	NRSA63J-0R0X	MG RESISTOR		
D 973	1SS133-T2	SI DIODE IM			R 603	NRSA63J-151X	MG RESISTOR		
D 974	1SS133-T2	SI DIODE IM			R 604	NRSA63J-0R0X	MG RESISTOR		
D 991	MTZJ5.1C-T2	ZENER DIODE			R 605	NRSA63J-221X	MG RESISTOR		
DI801	QLF0085-001	FL TUBE			R 606	QRE141J-561Y	C RESISTOR	560 5% 1/4W	
EP711	QNZ0136-001Z	EARTH PLATE			R 609	NRSA63J-820X	MG RESISTOR		
EP951	QNZ0136-001Z	EARTH PLATE			R 611	NRSA63J-151X	MG RESISTOR		
FC901	QNG0003-001Z	FUSE CLIP			R 612	NRSA63J-0R0X	MG RESISTOR		
FC902	QNG0003-001Z	FUSE CLIP			R 613	NRSA63J-151X	MG RESISTOR		
IC701	MN101C35DGN	IC	SYSTEM MICOM		R 614	NRSA63J-0R0X	MG RESISTOR		
IC702	IC-PST9140-T	IC			R 615	NRSA63J-221X	MG RESISTOR		
IC703	MN35505-X	IC C M			R 616	QRE141J-561Y	C RESISTOR	560 5% 1/4W	
IC704	TC7S08F-W	IC			R 619	NRSA63J-820X	MG RESISTOR		
IC741	NJM4580M-X	IC			R 621	NRSA63J-151X	MG RESISTOR		
IC751	NJM4580M-X	IC			R 622	NRSA63J-0R0X	MG RESISTOR		
IC801	GP1U271X	RM RECIVER			R 623	NRSA63J-151X	MG RESISTOR		
△ IC901	STR-G6651	IC			R 624	NRSA63J-0R0X	MG RESISTOR		
IC951	PQ05RD21	IC			R 625	NRSA63J-221X	MG RESISTOR		
△ IC953	NJM78M05FA	IC			R 629	NRSA63J-680X	MG RESISTOR		
J 601	QNN0387-001	PIN JACK	COMPONENT		R 631	NRSA63J-151X	MG RESISTOR		
J 702	QNS0089-001	3.5 JACK	AV COMPULINK		R 632	NRSA63J-0R0X	MG RESISTOR		
J 703	QNZ0487-001	OPT TRANSMITTER	OPT DIGITAL OUT		R 633	NRSA63J-151X	MG RESISTOR		
K 701	NQR0227-004X	FERRITE BEADS			R 634	NRSA63J-0R0X	MG RESISTOR		
K 702	NRSA63J-100X	MG RESISTOR			R 635	NRSA63J-221X	MG RESISTOR		
K 703	NQR0227-004X	FERRITE BEADS			R 636	QRE141J-561Y	C RESISTOR	560 5% 1/4W	
K 704	NQR0227-004X	FERRITE BEADS			R 639	NRSA63J-680X	MG RESISTOR		
K 705	NQR0227-004X	FERRITE BEADS			R 649	NRSA63J-680X	MG RESISTOR		
K 706	NQR0227-004X	FERRITE BEADS			R 650	QRE141J-561Y	C RESISTOR	560 5% 1/4W	
K 708	NQR0227-004X	FERRITE BEADS			R 659	NRSA63J-680X	MG RESISTOR		
K 902	QQR1183-001Z	F.BEADS I.M			R 701	NRSA63J-102X	MG RESISTOR		
L 601	QQL231K-5R6Y	INDUCTOR I.M			R 702	NRSA63J-472X	MG RESISTOR		
L 602	QQL231K-2R2Y	INDUCTOR I.M			R 703	NRSA63J-105X	MG RESISTOR		
L 611	QQL231K-5R6Y	INDUCTOR I.M			R 704	NRSA63J-102X	MG RESISTOR		
L 612	QQL231K-2R2Y	INDUCTOR I.M			R 705	NRSA63J-2R2X	MG RESISTOR		
L 621	QQL231K-5R6Y	INDUCTOR I.M			R 706	NRSA63J-104X	MG RESISTOR		
L 622	QQL231K-2R2Y	INDUCTOR I.M			R 708	NRSA63J-101X	MG RESISTOR		
L 631	QQL231K-5R6Y	INDUCTOR I.M			R 709	NRSA63J-103X	MG RESISTOR		
L 632	QQL231K-2R2Y	INDUCTOR I.M			R 711	NRSA63J-100X	MG RESISTOR		
L 709	QQL231K-2R2Y	INDUCTOR I.M			R 713	NRSA63J-470X	MG RESISTOR		
△ L 901	QQR1105-001	LINE FILTER	OR USE PARTS		R 715	NRSA63J-470X	MG RESISTOR		
L 951	QQL244K-R22Z	INDUCTOR			R 717	NRSA63J-220X	MG RESISTOR		
L 952	QQL26AK-220Z	INDUCTOR			R 721	NRSA63J-471X	MG RESISTOR		
L 955	QQL26AK-220Z	INDUCTOR			R 723	NRSA63J-471X	MG RESISTOR		
L 957	QQL244K-100Z	INDUCTOR			R 724	NRSA63J-471X	MG RESISTOR		
L 959	QQL244K-100Z	INDUCTOR			R 725	NRSA63J-471X	MG RESISTOR		
P 901	QNC0082-001	AC INLET			R 728	NRSA63J-471X	MG RESISTOR		
△ PC901	PC123Y02	IC(PHOTO COUPLE			R 729	NRSA63J-471X	MG RESISTOR		
△ PC902	PC123Y02	IC(PHOTO COUPLE			R 731	NRSA63J-332X	MG RESISTOR		
Q 601	KTA1267/G/-T	TR I/M			R 740	QRE141J-273Y	C RESISTOR	27K 5% 1/4W	

■ Electrical parts list (Main board)

Block No. 01

△	Item	Parts number	Parts name	Remarks	Area
	R 741	QRE141J-273Y	C RESISTOR	27K 5% 1/4W	
	R 742	QRE141J-183Y	C RESISTOR	18K 5% 1/4W	
	R 743	QRE141J-183Y	C RESISTOR	18K 5% 1/4W	
	R 744	NRSA63J-362X	MG RESISTOR		
	R 745	QRE141J-183Y	C RESISTOR	18K 5% 1/4W	
	R 746	NRSA63J-332X	MG RESISTOR		
	R 747	NRSA63J-362X	MG RESISTOR		
	R 748	NRSA63J-112X	MG RESISTOR		
	R 750	QRE141J-273Y	C RESISTOR	27K 5% 1/4W	
	R 751	QRE141J-273Y	C RESISTOR	27K 5% 1/4W	
	R 752	QRE141J-183Y	C RESISTOR	18K 5% 1/4W	
	R 753	QRE141J-183Y	C RESISTOR	18K 5% 1/4W	
	R 754	NRSA63J-362X	MG RESISTOR		
	R 755	QRE141J-183Y	C RESISTOR	18K 5% 1/4W	
	R 756	NRSA63J-332X	MG RESISTOR		
	R 757	NRSA63J-362X	MG RESISTOR		
	R 758	NRSA63J-112X	MG RESISTOR		
	R 761	NRSA63J-112X	MG RESISTOR		
	R 762	NRSA63J-681X	MG RESISTOR		
	R 763	NRSA63J-362X	MG RESISTOR		
	R 764	NRSA63J-183X	MG RESISTOR		
	R 765	NRSA63J-561X	MG RESISTOR		
	R 766	NRSA63J-273X	MG RESISTOR		
	R 767	NRSA63J-101X	MG RESISTOR		
	R 768	NRSA63J-103X	MG RESISTOR		
	R 771	NRSA63J-112X	MG RESISTOR		
	R 772	NRSA63J-152X	MG RESISTOR		
	R 773	NRSA63J-362X	MG RESISTOR		
	R 774	NRSA63J-183X	MG RESISTOR		
	R 775	NRSA63J-561X	MG RESISTOR		
	R 776	NRSA63J-273X	MG RESISTOR		
	R 777	NRSA63J-101X	MG RESISTOR		
	R 778	NRSA63J-103X	MG RESISTOR		
	R 782	NRSA63J-221X	MG RESISTOR		
	R 783	NRSA63J-221X	MG RESISTOR		
	R 786	NRSA63J-333X	MG RESISTOR		
	R 789	NRSA63J-0R0X	MG RESISTOR		
	R 792	NRSA63J-221X	MG RESISTOR		
	R 793	NRSA63J-221X	MG RESISTOR		
	R 797	NRSA63J-473X	MG RESISTOR		
	R 801	NRSA63J-331X	MG RESISTOR		
	R 845	NRSA63J-431X	MG RESISTOR		
	R 846	NRSA63J-681X	MG RESISTOR		
	R 847	NRSA63J-112X	MG RESISTOR		
	R 848	NRSA63J-222X	MG RESISTOR		
	R 900	NRSA63J-221X	MG RESISTOR		
	R 901	QRL01DJ-683X	OMF RESISTOR	68K 5% 1/1W	
	R 903	QRE141J-270Y	C RESISTOR	27 5% 1/4W	
	R 904	QRE141J-222Y	C RESISTOR	2.2K 5% 1/4W	
	R 905	QRL027J-683	OMF RESISTOR	68K 5% 1/2W	
	R 906	QRE141J-681Y	C RESISTOR	680 5% 1/4W	
	R 907	QRT022J-R47	OMF RESISTOR	5% 1/2W	
	R 908	QRE141J-332Y	C RESISTOR	3.3K 5% 1/4W	
	R 910	QRE141J-754Y	C RESISTOR	750K 5% 1/4W	
	R 911	QRE141J-754Y	C RESISTOR	750K 5% 1/4W	
	R 952	NRSA63J-103X	MG RESISTOR		
	R 953	QRE141J-103Y	C RESISTOR	10K 5% 1/4W	
△	R 954	QRZ9005-100X	F.RES I/M	10 1/0W	
	R 955	NRSA63J-223X	MG RESISTOR		
	R 956	QRE141J-120Y	C RESISTOR	12 5% 1/4W	
	R 960	QRE141J-101Y	C RESISTOR	100 5% 1/4W	
	R 961	NRSA63J-681X	MG RESISTOR		
	R 962	NRSA63J-105X	MG RESISTOR		
	R 963	NRSA63J-101X	MG RESISTOR		

△	Item	Parts number	Parts name	Remarks	Area
	R 964	NRSA63J-105X	MG RESISTOR		
	R 965	NRSA63J-103X	MG RESISTOR		
	R 969	NRSA63J-221X	MG RESISTOR		
	R 971	NRSA63J-392X	MG RESISTOR		
	R 972	NRSA63J-122X	MG RESISTOR		
	R 973	NRSA63J-102X	MG RESISTOR		
	R 974	NRSA63J-562X	MG RESISTOR		
	R 975	NRSA63J-562X	MG RESISTOR		
	R 976	QRE141J-221Y	C RESISTOR	220 5% 1/4W	
	R 980	QRE141J-152Y	C RESISTOR	1.5K 5% 1/4W	
	R1704	NRSA63J-102X	MG RESISTOR		
	R1707	NRSA63J-222X	MG RESISTOR		
	R1708	NRSA63J-222X	MG RESISTOR		
	R1709	NRSA63J-102X	MG RESISTOR		
	R1710	NRSA63J-102X	MG RESISTOR		
	R1713	NRSA63J-101X	MG RESISTOR		
	R1714	NRSA63J-472X	MG RESISTOR		
	R1715	NRSA63J-103X	MG RESISTOR		
	R1716	NRSA63J-102X	MG RESISTOR		
	R1721	NRSA63J-331X	MG RESISTOR		
	R1722	NRSA63J-750X	MG RESISTOR		
	R1723	NRSA63J-270X	MG RESISTOR		
	R1724	NRSA63J-101X	MG RESISTOR	TO C708	
	R1725	NRSA63J-102X	MG RESISTOR		
	R1727	NRSA63J-0R0X	MG RESISTOR		
	R1728	NRSA63J-222X	MG RESISTOR		
	R1729	NRSA63J-222X	MG RESISTOR		
	R1730	QRE141J-103Y	C RESISTOR	10K 5% 1/4W	
	R1732	QRE141J-100Y	C RESISTOR	10 5% 1/4W	
	S 801	QSW0651-001Z	TACT SWITCH		
	S 821	QSW0651-001Z	TACT SWITCH		
	S 831	QSW0651-001Z	TACT SWITCH		
	S 832	QSW0651-001Z	TACT SWITCH		
	S 833	QSW0651-001Z	TACT SWITCH		
	S 834	QSW0651-001Z	TACT SWITCH		
	S 835	QSW0651-001Z	TACT SWITCH		
	T 701	QQR1185-001	PULSE TRANS		
△	T 901	QQS0100-001	SW TRANSF	OR USE PARTS	
	X 701	QAX0667-001Z	RESONATOR I.M		

■ Electrical parts list (DVD Servo control board) Block No. 02

△	Item	Parts number	Parts name	Remarks	Area	△	Item	Parts number	Parts name	Remarks	Area
	C 1	NCB31CK-104X	C CAPACITOR				C 218	NCB31CK-104X	C CAPACITOR		
	C 2	NEA70JM-226X	E CAPACITOR				C 219	NEA70JM-107X	E.CAPACITOR		
	C 3	NEA70JM-226X	E CAPACITOR				C 220	NCB11CK-105X	C CAPACITOR		
	C 4	NCB31CK-104X	C CAPACITOR				C 221	NCB31HK-561X	C CAPACITOR		
	C 5	NEA70JM-226X	E CAPACITOR				C 222	NCB31CK-104X	C CAPACITOR		
	C 6	NCB31CK-104X	C CAPACITOR				C 223	NCB31CK-104X	C CAPACITOR		
	C 11	NEA70JM-107X	E.CAPACITOR				C 224	NCB31CK-104X	C CAPACITOR		
	C 12	NCB31CK-104X	C CAPACITOR				C 225	NBE91CM-105X	E CAPACITOR		
	C 15	NCB31CK-104X	C CAPACITOR				C 227	NCB31HK-102X	C CAPACITOR		
	C 16	NEA70GM-336X	E CAPACITOR				C 228	NCB31HK-102X	C CAPACITOR		
	C 17	NCB31CK-104X	C CAPACITOR				C 229	NCB31CK-104X	C CAPACITOR		
	C 101	NCB31CK-104X	C CAPACITOR				C 231	NCB31CK-103X	C CAPACITOR		
	C 104	NCB31CK-104X	C CAPACITOR				C 232	NCB31HK-102X	C CAPACITOR		
	C 105	NEA70JM-476X	E.CAPACITOR				C 233	NCB31CK-104X	C CAPACITOR		
	C 106	NEA70JM-476X	E.CAPACITOR				C 237	NCB31CK-104X	C CAPACITOR		
	C 107	NCB31CK-104X	C CAPACITOR				C 238	NCB31CK-104X	C CAPACITOR		
	C 108	NCB31CK-104X	C CAPACITOR				C 239	NCB31CK-183X	C CAPACITOR		
	C 109	NCB31CK-104X	C CAPACITOR				C 240	NCS31HJ-470X	C.CAPA. C.M		
	C 118	NCB21CK-154X	C.CAPACITOR				C 241	NCB31CK-103X	C CAPACITOR		
	C 119	NCS31HJ-221X	C.CAPA. C.M				C 242	NCB11CK-105X	C CAPACITOR		
	C 120	NCS31HJ-820X	C CAPACITOR				C 244	NCB31CK-104X	C CAPACITOR		
	C 121	NCS31HJ-220X	C CAPACITOR				C 245	NCB31CK-103X	C CAPACITOR		
	C 122	NCB31HK-181X	C CAPACITOR				C 246	NCB31CK-104X	C CAPACITOR		
	C 123	NCB31CK-104X	C CAPACITOR				C 247	NCB31CK-104X	C CAPACITOR		
	C 124	NCB31CK-104X	C CAPACITOR				C 248	NCB21CK-154X	C.CAPACITOR		
	C 125	NCB31CK-104X	C CAPACITOR				C 249	NCB31CK-104X	C CAPACITOR		
	C 126	NEX40JM-566X	E CAPACITOR				C 251	NCB31CK-104X	C CAPACITOR		
	C 127	NCB31HK-102X	C CAPACITOR				C 252	NEA71CM-226X	E.CAPAP. C.M		
	C 128	NCB31CK-104X	C CAPACITOR				C 253	NCB31CK-104X	C CAPACITOR		
	C 130	NCB31CK-104X	C CAPACITOR				C 254	NEA70JM-226X	E CAPACITOR		
	C 131	NCS31HJ-120X	C.CAPA. C.M				C 255	NCB31HK-223X	C CAPACITOR		
	C 132	NCB31CK-104X	C CAPACITOR				C 256	NCB31CK-104X	C CAPACITOR		
	C 133	NCB31HK-561X	C CAPACITOR				C 257	NCB31CK-103X	C CAPACITOR		
	C 134	NCB31HK-561X	C CAPACITOR				C 258	NCB31CK-103X	C CAPACITOR		
	C 135	NCB31CK-273X	C CAPACITOR				C 259	NCB31CK-103X	C CAPACITOR		
	C 136	NCB31CK-473X	C CAPACITOR				C 260	NCB31CK-104X	C CAPACITOR		
	C 138	NCB31CK-104X	C CAPACITOR				C 261	NCB31CK-104X	C CAPACITOR		
	C 139	NCB31CK-104X	C CAPACITOR				C 262	NCB31CK-104X	C CAPACITOR		
	C 140	NEA70JM-226X	E CAPACITOR				C 263	NCB31CK-104X	C CAPACITOR		
	C 141	NCB31CK-104X	C CAPACITOR				C 264	NCB31CK-103X	C CAPACITOR		
	C 143	NCB31CK-104X	C CAPACITOR				C 271	NEA70JM-226X	E CAPACITOR		
	C 144	NCB31CK-104X	C CAPACITOR				C 273	NCB31CK-104X	C CAPACITOR		
	C 145	NCB31CK-103X	C CAPACITOR				C 274	NCB31CK-104X	C CAPACITOR		
	C 151	NEA70JM-226X	E CAPACITOR				C 275	NCB31HK-271X	C CAPACITOR		
	C 152	NEX40JM-156X	E.CAPACITOR				C 277	NCB31HK-102X	C CAPACITOR		
	C 159	NCB31CK-104X	C CAPACITOR				C 278	NCB31HK-102X	C CAPACITOR		
	C 160	NCB31CK-104X	C CAPACITOR				C 281	NCB31HK-223X	C CAPACITOR		
	C 161	NEA70GM-336X	E CAPACITOR				C 282	NCB31CK-103X	C CAPACITOR		
	C 201	NCB11CK-474X	C.CAPA. C.M				C 286	NEA71HM-105X	E.CAPA. C.M.		
	C 202	NCB31HK-561X	C CAPACITOR				C 287	NCB31CK-104X	C CAPACITOR		
	C 203	NCB31HK-561X	C CAPACITOR				C 288	NEA71HM-105X	E.CAPA. C.M.		
	C 204	NCB31HK-331X	C CAPACITOR				C 301	NCB31CK-104X	C CAPACITOR		
	C 205	NCS31HJ-121X	C CAPACITOR				C 302	NCB31CK-104X	C CAPACITOR		
	C 206	NCS31HJ-271X	C CAPACITOR				C 303	NCB31CK-104X	C CAPACITOR		
	C 207	NCB31HK-471X	C CAPACITOR				C 304	NCB31CK-104X	C CAPACITOR		
	C 208	NCB31CK-104X	C CAPACITOR				C 305	NCB31CK-104X	C CAPACITOR		
	C 209	NCB31HK-102X	C CAPACITOR				C 306	NCB31CK-104X	C CAPACITOR		
	C 210	NCB31HK-102X	C CAPACITOR				C 307	NCB31CK-104X	C CAPACITOR		
	C 212	NCB31CK-104X	C CAPACITOR				C 309	NCB31CK-104X	C CAPACITOR		
	C 213	NCB31CK-104X	C CAPACITOR				C 310	NCB31CK-104X	C CAPACITOR		
	C 214	NCB31CK-104X	C CAPACITOR				C 311	NCB31CK-104X	C CAPACITOR		
	C 215	NEA70JM-336X	E CAPACITOR				C 312	NCS31HJ-180X	C CAPACITOR		
	C 216	NCB11CK-105X	C CAPACITOR				C 313	NCS31HJ-180X	C CAPACITOR		
	C 217	NEA70JM-107X	E.CAPACITOR				C 314	NCB31CK-104X	C CAPACITOR		

■ Electrical parts list (DVD Servo control board) Block No. 02

△	Item	Parts number	Parts name	Remarks	Area
	C 315	NCB31CK-104X	C CAPACITOR		
	C 316	NEA70GM-107X	E CAPACITOR		
	C 317	NCB11CK-105X	C CAPACITOR		
	C 318	NCB31CK-104X	C CAPACITOR		
	C 319	NCB31CK-104X	C CAPACITOR		
	C 320	NCB31CK-104X	C CAPACITOR		
	C 321	NCB31CK-104X	C CAPACITOR		
	C 324	NCB31CK-104X	C CAPACITOR		
	C 326	NCB31CK-104X	C CAPACITOR		
	C 327	NEA70GM-107X	E CAPACITOR		
	C 341	NCB31CK-104X	C CAPACITOR		
	C 342	NCB31CK-104X	C CAPACITOR		
	C 343	NCB31CK-104X	C CAPACITOR		
	C 344	NCB31CK-104X	C CAPACITOR		
	C 345	NEA70JM-107X	E.CAPACITOR		
	C 346	NCB11CK-105X	C CAPACITOR		
	C 401	NCB31CK-104X	C CAPACITOR		
	C 402	NCB31CK-104X	C CAPACITOR		
	C 405	NCB31CK-104X	C CAPACITOR		
	C 406	NCB31CK-104X	C CAPACITOR		
	C 407	NCB31CK-104X	C CAPACITOR		
	C 408	NEA70JM-226X	E CAPACITOR		
	C 409	NCB31CK-104X	C CAPACITOR		
	C 410	NCB31CK-104X	C CAPACITOR		
	C 411	NCB31CK-104X	C CAPACITOR		
	C 412	NCB31CK-104X	C CAPACITOR		
	C 501	NCB31CK-104X	C CAPACITOR		
	C 502	NCB31CK-104X	C CAPACITOR		
	C 503	NCB31CK-104X	C CAPACITOR		
	C 504	NCB31CK-104X	C CAPACITOR		
	C 505	NCB31CK-104X	C CAPACITOR		
	C 506	NCB31CK-104X	C CAPACITOR		
	C 507	NCB31CK-104X	C CAPACITOR		
	C 508	NCB31CK-104X	C CAPACITOR		
	C 509	NCB31CK-104X	C CAPACITOR		
	C 510	NCB31CK-104X	C CAPACITOR		
	C 511	NCB31CK-104X	C CAPACITOR		
	C 512	NCB31CK-104X	C CAPACITOR		
	C 513	NCB31CK-104X	C CAPACITOR		
	C 514	NCB31CK-104X	C CAPACITOR		
	C 515	NCB31CK-104X	C CAPACITOR		
	C 516	NCB31CK-104X	C CAPACITOR		
	C 517	NCB31CK-104X	C CAPACITOR		
	C 518	NCB31CK-104X	C CAPACITOR		
	C 519	NCB31CK-104X	C CAPACITOR		
	C 520	NCB31CK-104X	C CAPACITOR		
	C 521	NCB31CK-104X	C CAPACITOR		
	C 522	NCB31CK-104X	C CAPACITOR		
	C 523	NCB31CK-104X	C CAPACITOR		
	C 524	NCB31CK-104X	C CAPACITOR		
	C 525	NCB31CK-104X	C CAPACITOR		
	C 526	NCB31CK-104X	C CAPACITOR		
	C 527	NCB31CK-104X	C CAPACITOR		
	C 528	NCB31CK-104X	C CAPACITOR		
	C 529	NCB31CK-104X	C CAPACITOR		
	C 530	NEA70JM-107X	E.CAPACITOR		
	C 531	NCB31CK-104X	C CAPACITOR		
	C 532	NCB31CK-104X	C CAPACITOR		
	C 533	NCB31CK-104X	C CAPACITOR		
	C 534	NEA70JM-107X	E.CAPACITOR		
	C 535	NCB31CK-104X	C CAPACITOR		
	C 536	NCB31CK-103X	C CAPACITOR		
	C 537	NEA70JM-226X	E CAPACITOR		
	C 538	NCB31CK-104X	C CAPACITOR		

△	Item	Parts number	Parts name	Remarks	Area
	C 539	NCB31CK-104X	C CAPACITOR		
	C 540	NEA70JM-226X	E CAPACITOR		
	C 541	NCB31CK-104X	C CAPACITOR		
	C 542	NEA70JM-226X	E CAPACITOR		
	C 543	NCB31CK-104X	C CAPACITOR		
	C 544	NCB31CK-104X	C CAPACITOR		
	C 547	NCB31CK-104X	C CAPACITOR		
	C 556	NEA70JM-107X	E.CAPACITOR		
	C 557	NCB31CK-104X	C CAPACITOR		
	C 561	NCB31CK-104X	C CAPACITOR		
	C 562	NEA70JM-226X	E CAPACITOR		
	C 566	NCB31CK-104X	C CAPACITOR		
	C 567	NEA70JM-226X	E CAPACITOR		
	CN101	QGF0501F2-30X	FFC/FPC CONNE	PU	
	CN201	QGF1016F2-15W	CONNECTOR C.M	PU	
	CN202	QGF1016F2-06W	W TO B CONNE	PU	
	CN502	QGB2027L1-26X	B TO B CONNE	SYSTEM	
	CN503	QGB2027L1-26X	B TO B CONNE	SYSTEM	
	D 501	1SR154-400-X	DIODE		
	FW801	QUM123-11DGZ4	PARA RIBON WIRE	TO CN703	
	FW802	QUM125-09DGZ4	PARA RIBON WIRE	TO CN702	
	FW803	QUM123-12Z4Z4	PARA RIBON WIRE	TO FW803	
	IC 1	MM3023DN-X	IC		
	IC101	AN8702FH	IC		
	IC102	MM3022JN-X	IC		
	IC201	MN67706ZY	IC		
	IC202	TC7WT125FU-X	IC(DIGITAL)		
	IC251	BA6664FM-X	LSI		
	IC271	BA5983FM-X	IC		
	IC301	MN103S13BDA	IC		
	IC311	TC7SH08FU-X	IC		
	IC312	TC7SH32FU-X	IC		
	IC321	TC7WH74FU-X	IC		
	IC322	TC74VHC00FT-X	IC		
	<b>IC401</b>	<b>MN102L25GGR</b>	<b>IC</b>	<b>ATTENTION</b>	
	<b>IC402</b>	<b>K3N5C1000D-J012</b>	<b>IC</b>	<b>ATTENTION</b>	
	IC403	BR93LC66F-X	IC		
	IC501	ZIVA-4.1-PA2	IC		
	IC502	NAX0393-001X	CXO C.M	27MHZ	
	IC503	TC74VHC00FT-X	IC		
	IC504	HY57V161610DTC8	IC	HYUNDAI	
	IC505	HY57V161610DTC8	IC	HYUNDAI	
	K 102	NQR0007-002X	FERRITE BEADS		
	K 103	NQR0007-002X	FERRITE BEADS		
	K 201	NQR0007-002X	FERRITE BEADS		
	K 202	NQR0007-002X	FERRITE BEADS		
	K 203	NQR0007-002X	FERRITE BEADS		
	K 301	NQR0007-002X	FERRITE BEADS		
	K 302	NQR0007-002X	FERRITE BEADS		
	K 303	NQR0007-002X	FERRITE BEADS		
	K 401	NQR0007-002X	FERRITE BEADS		
	K 402	NQR0007-002X	FERRITE BEADS		
	K 501	NQR0007-002X	FERRITE BEADS		
	K 502	NQR0007-002X	FERRITE BEADS		
	K 503	NQR0007-002X	FERRITE BEADS		
	K 504	NQR0007-002X	FERRITE BEADS		
	K 505	NQR0269-001X	FERRITE BEADS		
	K 506	NQR0007-002X	FERRITE BEADS		
	K 561	NQR0007-002X	FERRITE BEADS		
	L 1	NQL044K-100X	INDUCTOR		
	Q 1	KTC4377/C-X	POW TRANSISTOR		
	Q 101	KTA1001/Y/-X	TRANSISTOR		
	Q 102	KTA1001/Y/-X	TRANSISTOR		
	R 1	NRSA63J-100X	MG RESISTOR		

**ATTENTION**  
Please exchange "IC401" and "IC402" absolutely by the pair.

**■ Electrical parts list (DVD Servo control board) Block No. 02**

▲	Item	Parts number	Parts name	Remarks	Area	▲	Item	Parts number	Parts name	Remarks	Area
	R 101	NRSA63J-103X	MG RESISTOR				R 239	NRSA63J-221X	MG RESISTOR		
	R 102	NRSA63J-333X	MG RESISTOR				R 240	NRSA63J-221X	MG RESISTOR		
	R 103	NRSA63J-333X	MG RESISTOR				R 241	NRSA63J-221X	MG RESISTOR		
	R 104	NRS125J-270X	MG RESISTOR				R 242	NRSA63J-102X	MG RESISTOR		
	R 105	NRS125J-270X	MG RESISTOR				R 243	NRSA63J-102X	MG RESISTOR		
	R 106	NRSA63J-2R2X	MG RESISTOR				R 245	NRSA63J-102X	MG RESISTOR		
	R 107	NRSA63J-2R2X	MG RESISTOR				R 246	NRSA63J-102X	MG RESISTOR		
	R 108	NRSA63J-184X	MG RESISTOR				R 248	NRSA63J-473X	MG RESISTOR		
	R 110	NRSA63J-273X	MG RESISTOR				R 249	NRSA63J-473X	MG RESISTOR		
	R 112	NRSA63J-273X	MG RESISTOR				R 250	NRSA63J-473X	MG RESISTOR		
	R 113	NRSA63J-682X	MG RESISTOR				R 251	NRS125J-1R0X	MG RESISTOR		
	R 114	NRSA63J-102X	MG RESISTOR				R 252	NRSA63J-3R3X	MG RESISTOR		
	R 115	NRVA63D-243X	MG RESISTOR				R 254	NRSA63J-203X	MG RESISTOR		
	R 116	NRSA63J-683X	MG RESISTOR				R 255	NRSA63J-103X	MG RESISTOR		
	R 117	NRSA63J-123X	MG RESISTOR				R 256	NRSA63J-470X	MG RESISTOR		
	R 118	NRSA63J-303X	MG RESISTOR				R 257	NRS125J-1R0X	MG RESISTOR		
	R 121	NRSA63J-0R0X	MG RESISTOR				R 258	NRSA63J-0R0X	MG RESISTOR		
	R 122	NRSA63J-0R0X	MG RESISTOR				R 259	NRSA63J-103X	MG RESISTOR		
	R 123	NRSA63J-0R0X	MG RESISTOR				R 271	NRSA63J-470X	MG RESISTOR		
	R 124	NRSA63J-0R0X	MG RESISTOR				R 272	NRS125J-1R0X	MG RESISTOR		
	R 125	NQR0265-003X	FERRITE BEADS				R 273	NRSA63J-0R0X	MG RESISTOR		
	R 127	NRSA63J-222X	MG RESISTOR				R 274	NRSA63J-103X	MG RESISTOR		
	R 128	NRSA63J-105X	MG RESISTOR				R 275	NRSA63J-103X	MG RESISTOR		
	R 129	NRSA63J-105X	MG RESISTOR				R 276	NRSA63J-123X	MG RESISTOR		
	R 131	NRSA63J-822X	MG RESISTOR				R 277	NRSA63J-123X	MG RESISTOR		
	R 132	NRSA63J-103X	MG RESISTOR				R 278	NRSA63J-103X	MG RESISTOR		
	R 147	NRSA63J-0R0X	MG RESISTOR				R 279	NRSA63J-103X	MG RESISTOR		
	R 152	NRS125J-1R0X	MG RESISTOR				R 280	NRSA63J-242X	MG RESISTOR		
	R 153	NRS125J-4R7X	MG RESISTOR				R 281	NRSA63J-242X	MG RESISTOR		
	R 155	NRSA63J-0R0X	MG RESISTOR				R 282	NRSA63J-103X	MG RESISTOR		
	R 165	NRSA63J-0R0X	MG RESISTOR				R 283	NRSA63J-103X	MG RESISTOR		
	R 166	NRSA63J-182X	MG RESISTOR				R 284	NRSA63J-103X	MG RESISTOR		
	R 202	NRSA63J-473X	MG RESISTOR				R 285	NRSA63J-103X	MG RESISTOR		
	R 203	NRSA63J-473X	MG RESISTOR				R 286	NRSA63J-912X	MG RESISTOR		
	R 204	NRSA63J-473X	MG RESISTOR				R 288	NRSA63J-0R0X	MG RESISTOR		
	R 205	NRSA63J-473X	MG RESISTOR				R 289	NRSA63J-752X	MG RESISTOR		
	R 206	NRS125J-4R7X	MG RESISTOR				R 290	NRSA63J-752X	MG RESISTOR		
	R 208	NRSA63J-473X	MG RESISTOR				R 291	NRSA63J-682X	MG RESISTOR		
	R 209	NRSA63J-123X	MG RESISTOR				R 292	NRSA63J-103X	MG RESISTOR		
	R 210	NRSA63J-473X	MG RESISTOR				R 293	NRSA63J-912X	MG RESISTOR		
	R 211	NRSA63J-273X	MG RESISTOR				R 301	NRSA63J-473X	MG RESISTOR		
	R 212	NRSA63J-273X	MG RESISTOR				R 302	NRSA63J-473X	MG RESISTOR		
	R 213	NRSA63J-562X	MG RESISTOR				R 303	NRSA63J-473X	MG RESISTOR		
	R 214	NRSA63J-123X	MG RESISTOR				R 304	NRSA63J-473X	MG RESISTOR		
	R 215	NRSA63J-105X	MG RESISTOR				R 305	NRSA63J-473X	MG RESISTOR		
	R 218	NRSA63J-153X	MG RESISTOR				R 306	NRSA63J-473X	MG RESISTOR		
	R 219	NRSA63J-473X	MG RESISTOR				R 307	NRSA63J-473X	MG RESISTOR		
	R 220	NRSA63J-473X	MG RESISTOR				R 308	NRSA63J-473X	MG RESISTOR		
	R 223	NRSA63J-473X	MG RESISTOR				R 309	NRSA63J-103X	MG RESISTOR		
	R 224	NRSA63J-0R0X	MG RESISTOR				R 310	NRSA63J-102X	MG RESISTOR		
	R 225	NRSA63J-682X	MG RESISTOR				R 311	NRSA63J-102X	MG RESISTOR		
	R 226	NRSA63J-123X	MG RESISTOR				R 312	NRSA63J-102X	MG RESISTOR		
	R 227	NRSA63J-102X	MG RESISTOR				R 316	NRSA63J-105X	MG RESISTOR		
	R 228	NRSA63J-183X	MG RESISTOR				R 317	NRSA63J-0R0X	MG RESISTOR		
	R 229	NRSA63J-273X	MG RESISTOR				R 318	NRSA63J-0R0X	MG RESISTOR		
	R 230	NRSA63J-273X	MG RESISTOR				R 322	NRSA63J-473X	MG RESISTOR		
	R 231	NRSA63J-0R0X	MG RESISTOR				R 324	NRSA63J-473X	MG RESISTOR		
	R 232	NRSA63J-472X	MG RESISTOR				R 328	NRSA63J-473X	MG RESISTOR		
	R 233	NRSA63J-472X	MG RESISTOR				R 342	NRSA63J-0R0X	MG RESISTOR		
	R 234	NRSA63J-472X	MG RESISTOR				R 343	NRSA63J-102X	MG RESISTOR		
	R 235	NRSA63J-0R0X	MG RESISTOR				R 345	NRSA63J-562X	MG RESISTOR		
	R 236	NRSA63J-0R0X	MG RESISTOR				R 346	NRSA63J-472X	MG RESISTOR		
	R 237	NRSA63J-221X	MG RESISTOR				R 347	NRSA63J-102X	MG RESISTOR		
	R 238	NRSA63J-221X	MG RESISTOR				R 348	NRSA63J-102X	MG RESISTOR		

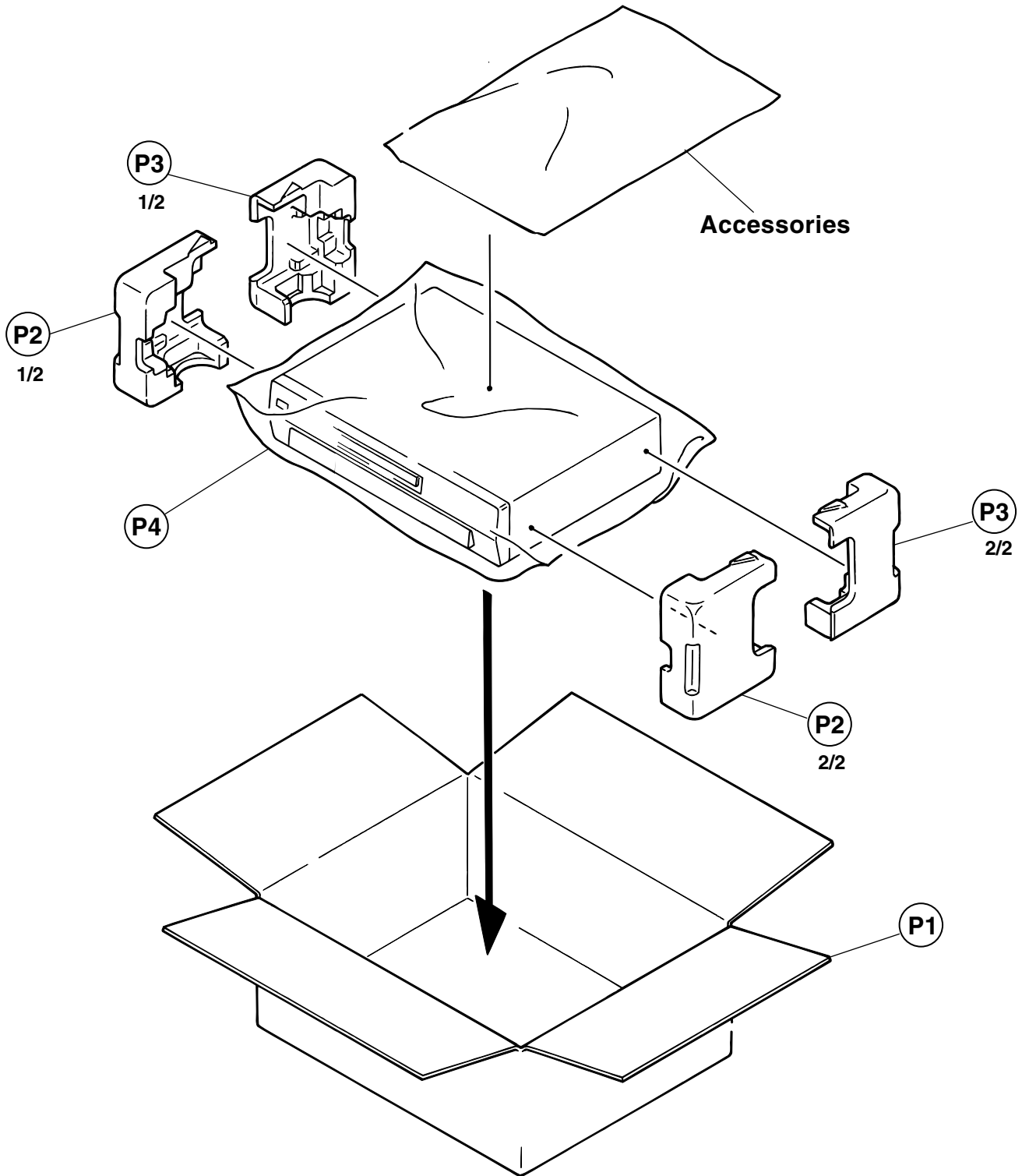
■ Electrical parts list (DVD Servo control board) Block No. 02

△	Item	Parts number	Parts name	Remarks	Area
	R 349	NRSA63J-102X	MG RESISTOR		
	R 350	NRSA63J-102X	MG RESISTOR		
	R 364	NRSA63J-0R0X	MG RESISTOR		
	R 403	NRSA63J-472X	MG RESISTOR		
	R 405	NRSA63J-472X	MG RESISTOR		
	R 408	NRSA63J-472X	MG RESISTOR		
	R 411	NRSA63J-472X	MG RESISTOR		
	R 412	NRSA63J-103X	MG RESISTOR		
	R 413	NRSA63J-472X	MG RESISTOR		
	R 414	NRSA63J-472X	MG RESISTOR		
	R 415	NRSA63J-472X	MG RESISTOR		
	R 416	NRSA63J-472X	MG RESISTOR		
	R 417	NRSA63J-472X	MG RESISTOR		
	R 418	NRSA63J-472X	MG RESISTOR		
	R 422	NRSA63J-0R0X	MG RESISTOR		
	R 423	NRSA63J-0R0X	MG RESISTOR		
	R 424	NRSA63J-0R0X	MG RESISTOR		
	R 431	NRSA63J-472X	MG RESISTOR		
	R 432	NRSA63J-472X	MG RESISTOR		
	R 501	NRSA63J-102X	MG RESISTOR		
	R 502	NRSA63J-472X	MG RESISTOR		
	R 504	NRSA63J-330X	MG RESISTOR		
	R 506	NRSA63J-330X	MG RESISTOR		
	R 507	NRSA63J-330X	MG RESISTOR		
	R 508	NRSA63J-330X	MG RESISTOR		
	R 509	NRSA63J-330X	MG RESISTOR		
	R 510	NRSA63J-330X	MG RESISTOR		
	R 511	NRSA63J-330X	MG RESISTOR		
	R 512	NRSA63J-330X	MG RESISTOR		
	R 513	NRSA63J-330X	MG RESISTOR		
	R 514	NRSA63J-330X	MG RESISTOR		
	R 515	NRSA63J-330X	MG RESISTOR		
	R 516	NRSA63J-330X	MG RESISTOR		
	R 517	NRSA63J-330X	MG RESISTOR		
	R 518	NRSA63J-330X	MG RESISTOR		
	R 519	NRSA63J-330X	MG RESISTOR		
	R 520	NRSA63J-330X	MG RESISTOR		
	R 521	NRSA63J-330X	MG RESISTOR		
	R 522	NRSA63J-330X	MG RESISTOR		
	R 524	NRSA63J-181X	MG RESISTOR		
	R 527	NRSA63J-181X	MG RESISTOR		
	R 528	NRSA63J-102X	MG RESISTOR		
	R 529	NRSA63J-181X	MG RESISTOR		
	R 531	NRSA63J-330X	MG RESISTOR		
	R 532	NRSA63J-102X	MG RESISTOR		
	R 533	NRSA63J-330X	MG RESISTOR		
	R 534	NRSA63J-330X	MG RESISTOR		
	R 535	NRSA63J-330X	MG RESISTOR		
	R 536	NRSA63J-330X	MG RESISTOR		
	R 537	NRSA63J-330X	MG RESISTOR		
	R 538	NRSA63J-330X	MG RESISTOR		
	R 539	NRSA63J-330X	MG RESISTOR		
	R 540	NRSA63J-330X	MG RESISTOR		
	R 541	NRSA63J-0R0X	MG RESISTOR		
	R 542	NRSA63J-0R0X	MG RESISTOR		
	R 543	NRSA63J-0R0X	MG RESISTOR		
	R 545	NRSA63J-472X	MG RESISTOR		
	R 546	NRSA63J-181X	MG RESISTOR		
	R 547	NRSA63J-222X	MG RESISTOR		
	R 548	NRSA63J-332X	MG RESISTOR		
	R 549	NRSA63J-0R0X	MG RESISTOR		
	R 551	NQR0007-002X	FERRITE BEADS		
	R 552	NRSA63J-0R0X	MG RESISTOR		
	R 554	NQR0007-002X	FERRITE BEADS		

△	Item	Parts number	Parts name	Remarks	Area
	R 555	NRSA02J-0R0X	MG RESISTOR		
	R 556	NQR0007-002X	FERRITE BEADS		
	R 557	NQR0007-002X	FERRITE BEADS		
	R 571	NRSA63J-0R0X	MG RESISTOR		
	R1201	NRSA63J-183X	MG RESISTOR	TO C230	
	X 301	NAX0375-001X	CRYSTAL	16.9344MHZ	
	X 401	NAX0331-001X	C RESONATOR		

# Packing materials and accessories parts list

Block No. M4MM  
Block No. M5MM





### ■ Packing list

Block No. M4MM

⚠	Item	Parts number	Parts name	Q'ty	Description	Area
	P 1	LE30945-039A	PACKING CASE	1		
	P 2	LE20543-001A	PACKING PAD (FRONT)	1		
	P 3	LE20544-001A	PACKING PAD (REAR)	1		
	P 4	QPC06005515P	POLY BAG	1		

### ■ Accessories parts list

Block No. M5MM

⚠	Item	Parts number	Parts name	Q'ty	Description	Area
	A 1	LET0178-002C	INST BOOK	1	EN	J
		LET0178-003B	INST BOOK	1	EN, FR	C
	A 2	LE40805-001B	INST SHEET	1		
⚠	A 3	QMPE200-183-JC	POWER CORD	1		
	A 4	BT-51020-2	J=REGIST CARD	1		J
	A 5	BT-52004-1	WARRANTY CARD	1		C
	A 6	YU20333	SAFETY INST.	1		J
	A 7	BT-20071B	SVC CENTER LIST	1		C
	A 6	QAM0328-001	AV CORD 3P	1		
	A 7	RM-SXVS42A	REMOTE CONTROLLER	1		
	A 8	-----	BATTERY	2		
	A 9	QPC02504015P	POLY BAG	1		

**JVC**

**VICTOR COMPANY OF JAPAN, LIMITED**  
PERSONAL & MOBILE NETWORK BUSINESS UNIT  
1644, Shimotsuruma, Yamato, Kanagawa 242-8514, Japan